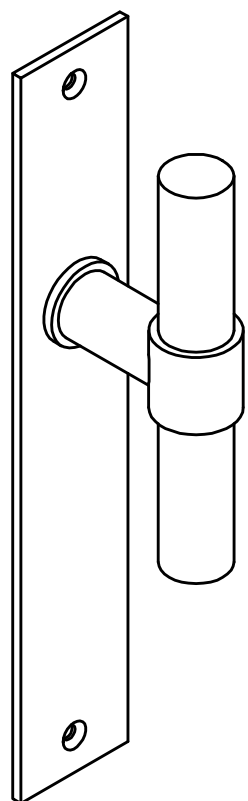
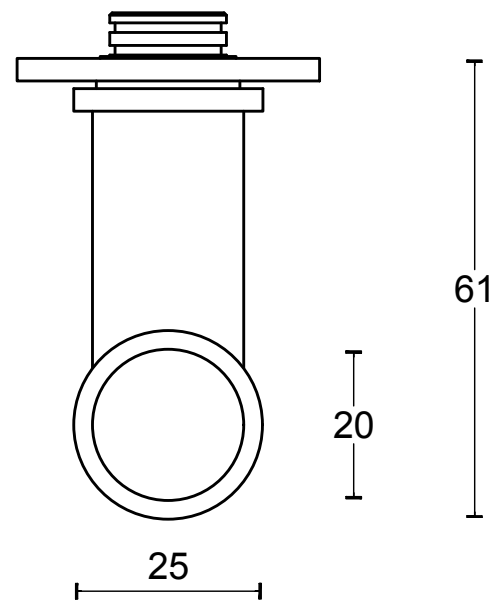


13



3



FORMANI[®]		Part number:	
Doc no.: 2701D013 PBT20XLP236SFC V01.dwg		Description:	Format:
Drawn by: Christian Brimbois	Creation date: 6-9-2017		A3
FORMANI HOLLAND B.V. EUROPALAAN 12 6199 AB MAASTRICHT-AIRPORT NL T +31 (0)43 308 90 00 INFO@FORMANI.COM FORMANI.COM			